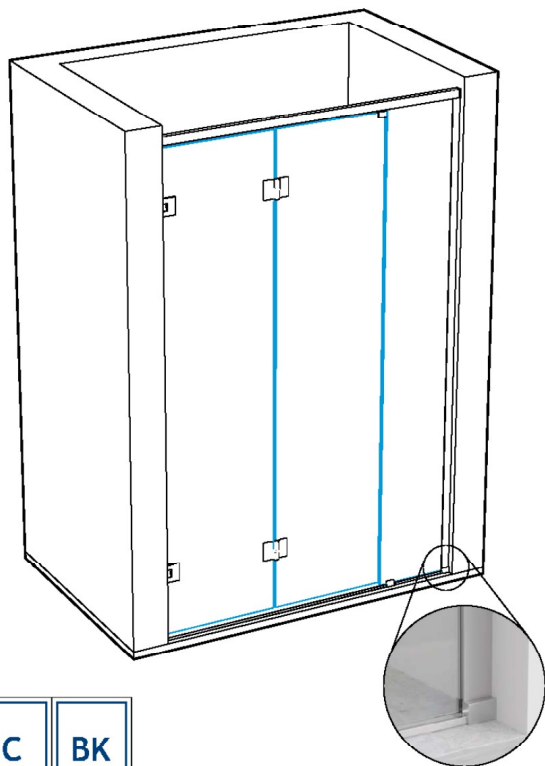


PLKW01-DX/PLKW01-SX

Consigliato
Recommended

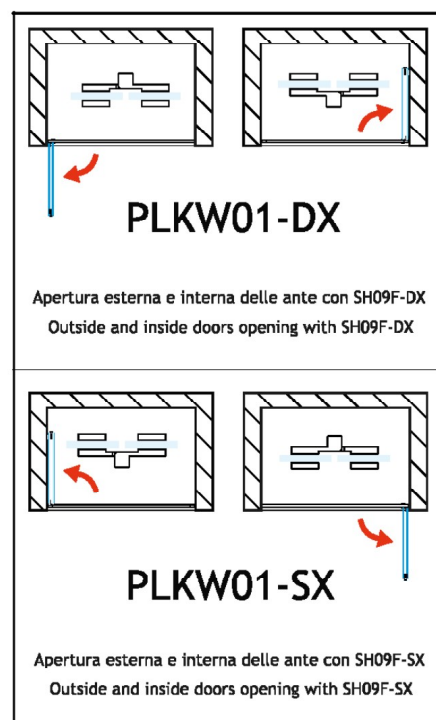
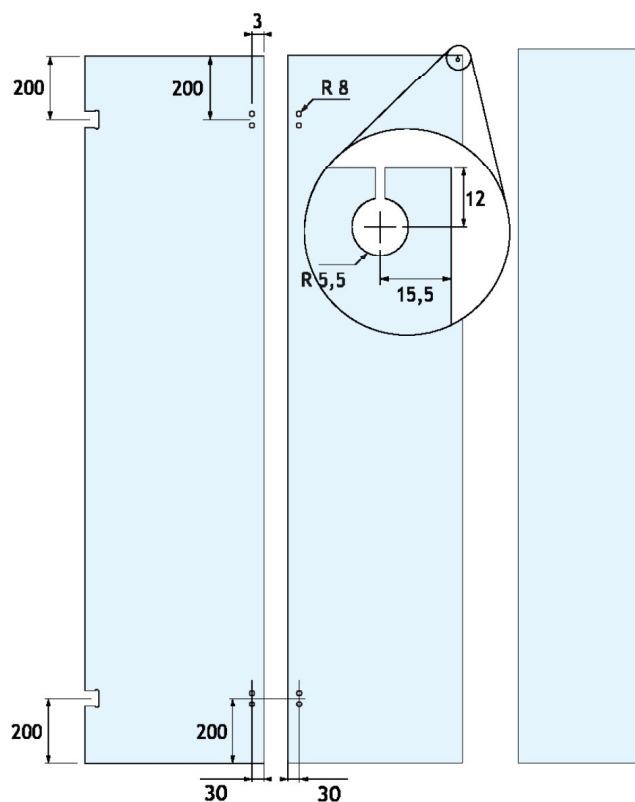
BDHA01

 8	 MAX 1900	 MAX KG 60	C	BK
---	---	---	---	----

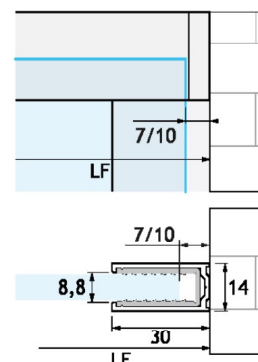
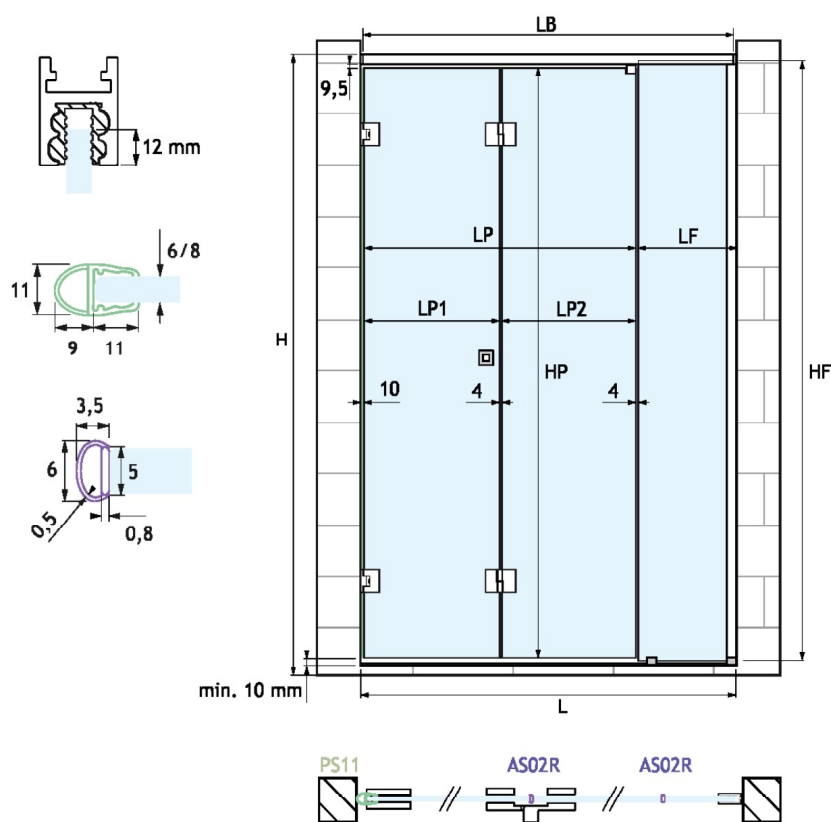
Compreso	
Included	
PBFR01  2000 mm	PBF01  x 1
CQR02  x 2	SH09F  x 2
PBF04  x 2	IPC07  2200 mm
IPD02  2000 mm	BRT01  x 2
PBFG01  1000 mm	

PLKW01



PLKW01

CON GUARNIZIONI PS11 E AS02R / WITH PS11 & AS02R SERIES SEALS



DIMENSIONAMENTO DELLA PORTA E DEL BINARIO CON AS02R

GLASS AND TRACK SIZING WITH AS02R

$LP = L - LF - 14 \text{ mm}$

$LP1 = LP/2 - 7 \text{ mm}$

$LP2 = LP/2 + 3 \text{ mm}$

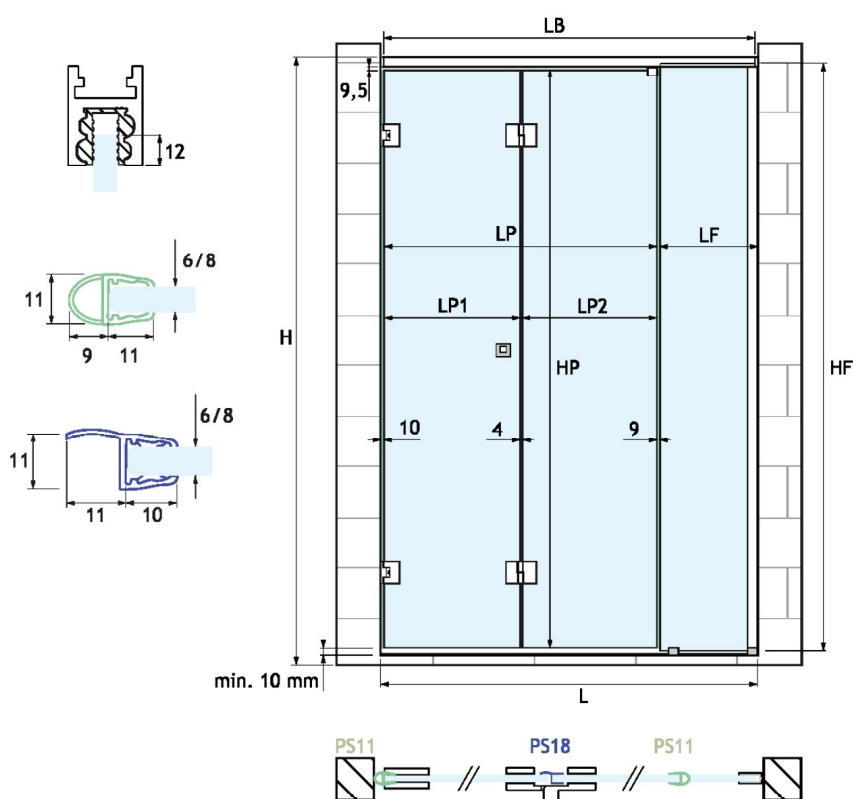
$HP = H - 50,5 \text{ mm}$

$LB = L - 15 \text{ mm}$

$HF = H - 27 \text{ mm}$

PLKW01

CON GUARNIZIONI SERIE PS / WITH PS SERIES SEALS



DIMENSIONAMENTO DELLA PORTA E DEL BINARIO CON AS02R
GLASS AND TRACK SIZING WITH AS02R
$LP = L - LF - 19 \text{ mm}$
$LP1 = LP/2 - 7 \text{ mm}$
$LP2 = LP/2 + 3 \text{ mm}$
$HP = H - 50,5 \text{ mm}$
$LB = L - 15 \text{ mm}$
$HF = H - 27 \text{ mm}$